

M12 MALE 90° SHIELDED

PUR 4X0.34 shielded GRAY, UL/CSA 5m

Male 90°

M12, 4-pole

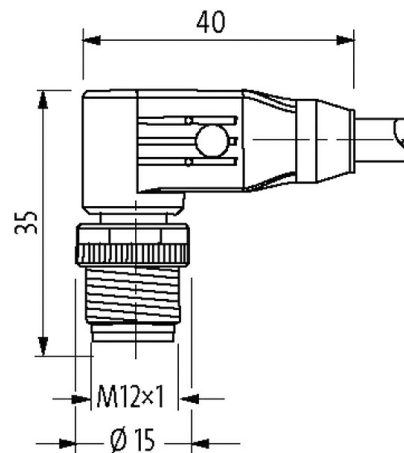
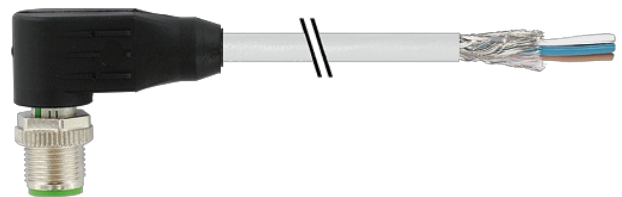
shielded

A-coded

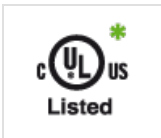
Plastic housings with good resistance against chemicals and oils.

The resistance to aggressive media should be individually tested for your application. Further details on request.

Further cable lengths on request.

Illustration

Product may differ from Image

Approvals

* only for products with UL/CSA approved cable

cCSAus

EAC

Form

Form 13141

Cables

| | |
|----------------------------|--------------------------|
| No./diameter of wires | 4 × 0.34 mm ² |
| Wire isolation | PP (br, wh, bl, bk) |
| Material (jacket) | PUR (UL/CSA) |
| Outer Ø | 5.9 mm ±5% |
| Bend radius (moving) | 10 × outer Ø |
| Temperature range (fixed) | -40...+80 °C |
| Temperature range (mobile) | -20...+80 °C |

| | |
|-------------------------------------|---|
| Cable identification | 335 |
| Cable Type | PUR-OB |
| Approval (cable) | UL (AWM-Style 20233/1992), CSA; CE conform |
| Cable weight [g/m] | 56,10 |
| Material (wire) | Cu wire, bare |
| Resistor (core) | max. 52 Ω /km (20 °C) |
| Single wire \varnothing (core) | 0.1 mm |
| Diameter (core) | 4 x 0.34 mm ² |
| Material (wire isolation) | PP |
| Material property (wire isolation) | CFC-, halogen-, cadmium-, silicone- and lead-free |
| Shore hardness (wire isolation) | 72 \pm 3 D |
| Wire- \varnothing incl. isolation | 1.55 mm \pm 5% |
| Color/numbering of wires | br, bk, bl, wh |
| Stranding combination | 4 wires twisted |
| Shield | yes |
| | min. 85% |
| Material (jacket) | PUR |
| Shore hardness (jacket) | 85 \pm 3 A |
| Outer- \varnothing (jacket) | 5.9 mm \pm 5% |
| Color (jacket) | gray |
| chemical resistance | good resistance to oil, gasoline and chemicals (VDE 0472 Teil 803 Test B) |
| thermal resistance | flame retardant UL VW1, CSA FT1 |
| Nominal voltage | 300 V AC |
| Test voltage | 2000 V AC |
| Temperature range (fixed) | -40...+80 °C |
| Temperature range (mobile) | -20...+80 °C |
| Bend radius (fixed) | 10x outer \varnothing |
| Jacket Color | gray |

Technical Data

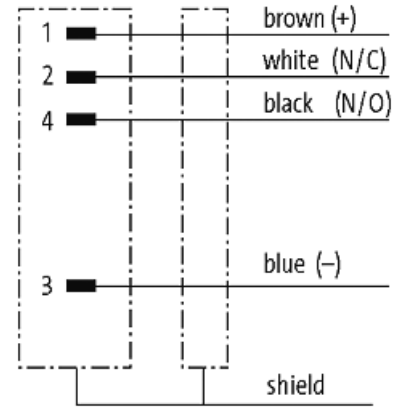
| | |
|------------------------------------|--|
| Operating voltage | max. 60 V AC/DC |
| Operating voltage (only UL listed) | 30 V AC/DC |
| Rated surge voltage | 1.5 kV |
| Operating current per contact | max. 4 A |
| No. of poles | 4 |
| Material group | IEC 60664-1, category I |
| Coding | A-coded |
| LED display | no |
| Locking of ports | Screw thread (M12x1 mm) recommended torque 0.6 Nm, self-securing |
| Compression gland | M12 (SW13) |
| Protection | IP65, IP66K, IP67 inserted and tightened (EN 60529) |
| Locking material | Zinc die casting, matte nickel plated |
| Material | PUR |

General data

| | |
|----------------------------|--|
| Standards | DIN EN 61076-2-101 (M12) |
| Mounting method | inserted, tightened |
| Material (contact) | Copper alloy |
| Material (contact surface) | Au |
| Pollution Degree | 3 |
| Stripping length (jacket) | 20 mm |
| Temperature range | -25...+85 °C, depending on cable quality |

*stay connected***Commercial data**

| | |
|-----------------------|---------------|
| country of origin | DE |
| customs tariff number | 85444290 |
| EAN | 4048879322225 |
| eClass | 27279218 |
| Packaging unit | 1 |

Sketch

Male



Product may differ from Image